

# **EVEERUN**<sup>®</sup> SINCE 2007

**WE RUN TOGETHER WITH YOU !**







## Compang Profile

Qingdao Everun Machinery Co., Ltd

Qingdao Everun Machinery Co., Ltd. is one of the China's top manufacturer of small wheel loaders and excavators. Now we offer articulated and compact wheel loaders, telescopic wheel loaders, excavator and a wide range of attachments from our Qingzhou and Qingdao factory.

Through our distributor network, Everun has been providing reliable quality products for 10 years. Now Everun products can be found working in 50 countries. Our wheel loader series are widely use in the fields of agriculture farming, constructions and industry.

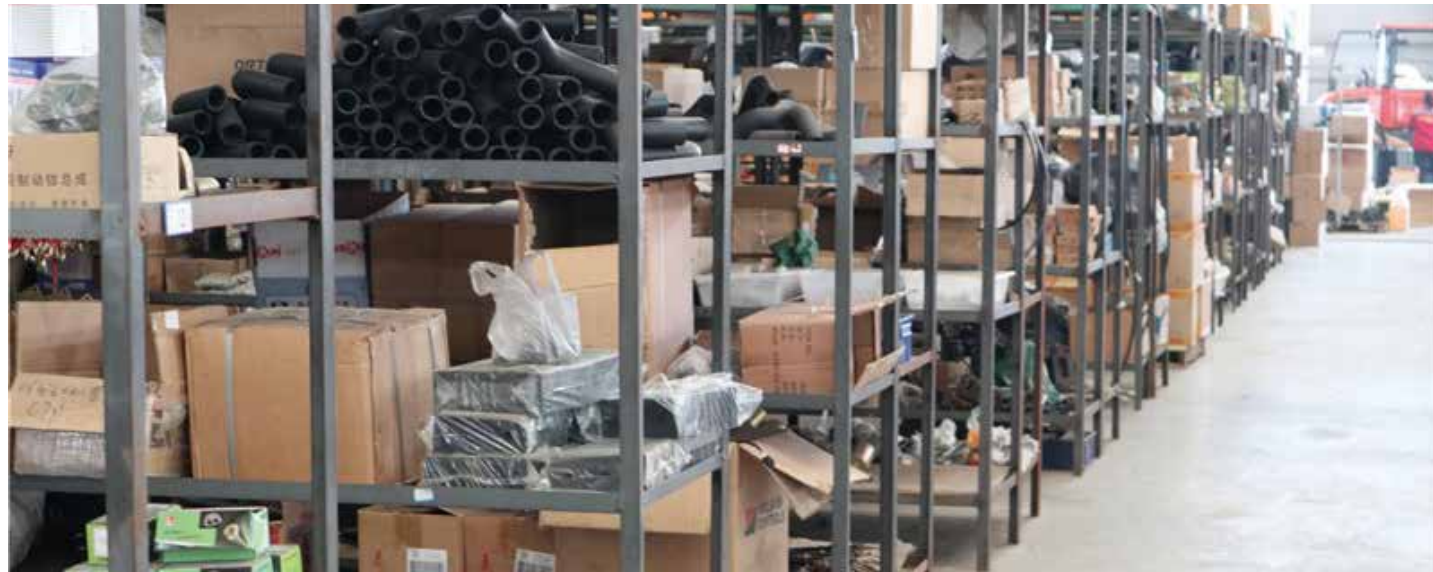
We have always invested heavily in research and development. All products are tested and granted C E certificate by T Ü V Rheinland and meets the European standard for Rops and Fops protection. Excellent sales service is the key to our success. Prompt and kind response from our trained service team earns us many praises. From pre-sales to after-sales, we offer service from recommending the right equipment to technician support and spare parts delivery. In 2014, we established Everun Europe Company in Germany to supply the spare parts and technical training for European customers.

Everun Transport packaging team helps our customer to transport their machine in safe and secure way without any damage. Close to Qingdao port, we have the natural advantage to deliver your cargo safe, one time with competitive freight cost.

Choose Everun, excellent service will be guaranteed. We look forward to establishing good, long-term relationships with all of our customers.

**Everun, run together with you forever.**





Prompt After-Sales Parts Delivery From EVERUN QINGDAO And EVERUN EUROPE Parts Warehouse.

# After Service

For After-sales, to minimize the downtime, we offer air delivery for the spare parts under guarantee within 5 working days. Our professional technician team will offer support on trouble clearing and maintenance.

For European customer, we built Everun Europe in Germany to supply the in-time technical support, machine trial run and spare parts delivery. Same support to our Oceanian customer offered by Everun Australia.



EVERUN After-Sales Service Car For Emergency Service.



EVERUN Europe



EVERUN QingDao Service Team



Fast Delivery By Dhl On Emergency Parts.



EVERUN AUSTRALIA Provides Services for Oceanian Area.



Regular Visit To Our Customer.



# Market Distribution



Everun cooperated with distributors to provide an immediate solution and efficient service to end-customers, now Everun machines can be found in more than 50 countries. We are looking forward to more distributors to join in Everun family and run together with us.

Everun is always based on users, not only to meet the needs of users, but also to create user needs. This year officially launched the latest series of small wheel loaders: with hydrostatic transmission, Tier4 or Euro5 engine, a new look and oversized cab will give you an unprecedented driving experience.



Everun runs in Holland



Everun runs in Australia



Everun runs in Denmark



Everun runs in Germany



Everun runs in Thailand



Everun runs in America



Everun runs in Hungary



Everun runs in Australia



Everun runs in Canada



Everun runs in Poland



Everun runs in Africa



Everun runs in Czech Republic



1

EVERUN unique meter design. Easy command of all working signal.



2

The user-friendly design of the dashboard makes efficient and convenient.



3

E-mark seat for operator comfort and safety.



4

Multiple selection of engines to meet different emission standard.



5

Easy-to-open engine hood making the maintenance



Easy-to-open engine hood



6

Hydraulic quick hitch to exchange attachments easily and conveniently



7

The patented Everun cab with Tilttable design meets Rops and Fops standard



8

Strong axle to meet diverse terrains and traction requirements



9

Unique articulated joint provides higher stability



10

Hydraulic transmission system offers superior power and high efficiency



11

Everun hydraulic pressure checking system for trouble shooting







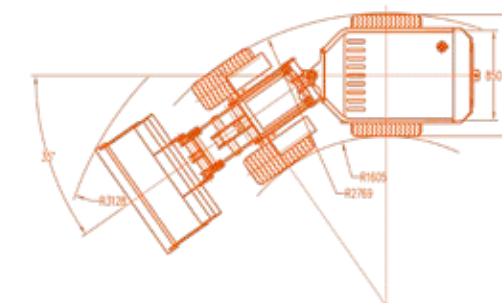
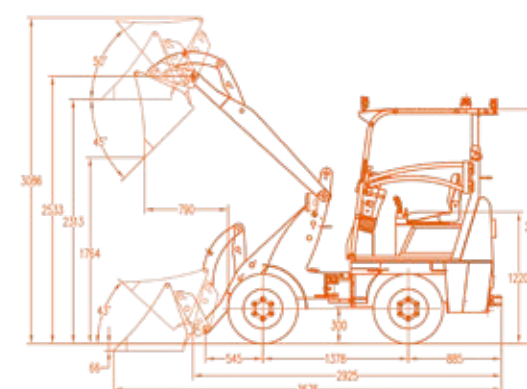
# EVERUN ER06 WHEEL LOADER 4WD

## Standard Configuration

Standard Bucket, Yanmar 3Tnv88-Bssy Engine(Euros), Unclosed Cabin, Tipping Cabin, Italy Hydrostatic Transmission System, Quick Hitch, Floating Function, Electric J Oystick, Hydraulic-Pressure Checking System, 26\*12-12 Tyres, Parallel Linkagr System, Free Service Spare Parts.

## Optional Configuration

Closed Cabin, Led Light, E4 Lamp, Varta Anti-Freeze Battery, Extra Hydraulic Line, Yanmar 3Tnv88-Essy Engine(Epa4), Kohler 1003 Engine(Epa4), Different Attachments.



## Technical Parameter

Bucket Capacity	0.26m <sup>3</sup>	Net Weight	1700kg
Loading Capacity	600kg	Lifting Time	≤8.0s
Max. Driving Speed(I/II)	12km/h	Working Pressure	17mpa
Fuel Consumption Ration	257g/km·h	Wheel Base	1378mm
Engine Model	Yanmar 3TNV88-BSSY	Breakout Force	13kn
Engine Power	19.6kw	Tyre	26*12-12
Service Brake	Air Over Hydraulic Disc Brake On Four Wheels	Oil Flow	28L/min
		Rated Speed	2200r/min





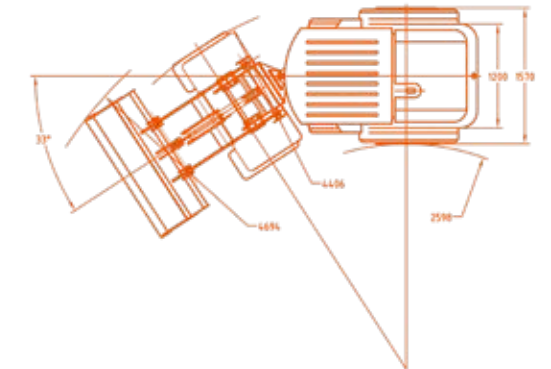
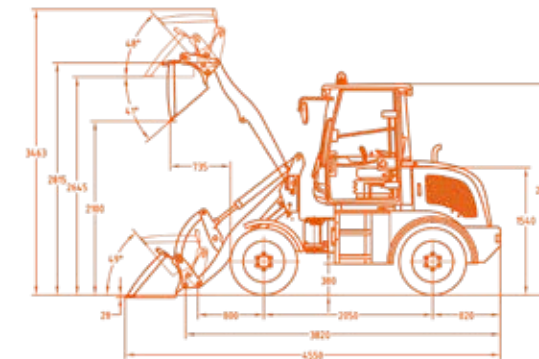
# EVERUN ER408 WHEEL LOADER 4WD

## Standard Configuration

Standard Bucket, Changchai 390 Engine, Torque Converter Transmission System, Rops & Fops Cabin, Mechanical Joystick, Floating Function, Tippingcabin, Adjustable Steering Wheel, Comforable Seat, Cabin Heater, Backward Camera, Hydraulic-Pressure Checking System, Engine Heater, 31\*15.5-15 Agricultural Tyres, Lock For Lifting And Steering Cylinder, Parallel Linkage System, Free Service Spare Parts.

## Optional Configuration

Quick Hitch, Electric Joystick, Air Conditioner, Extra Hydraulic Line, Led Light, E4 Lamp, Varta Anti-Freeze Battery 20.5/70-16 Tyres, 31\*15.5-15 Turf Tyres, Tyre Chain, Three-Point Hitch, Loading Damper, Centralized Lubricationsystem, Loader Weighter, 5 Functions Electric Joystick, Kohler 1903TCR Engine(EPA4), Different Attachments.



## Technical Parameter

Bucket Capacity	0.48m <sup>3</sup>	Net Weight	2700kg
Loading Capacity	800kg	Lifting Time	5s
Max. Driving Speed(I/II)	7.8/23km/h	Working Pressure	17mpa
Fuel Consumption Ration	276g/km·h	Wheel Base	2050mm
Engine Model	Changchai 390 Engine	Breakout Force	22kn
Engine Power	25kw	Tyre	31*15.5-15
Service Brake	Four Wheel Hydraulic Spread-Shoed Brake	Oil Flow	50L/min
		Rated Speed	2400r/min





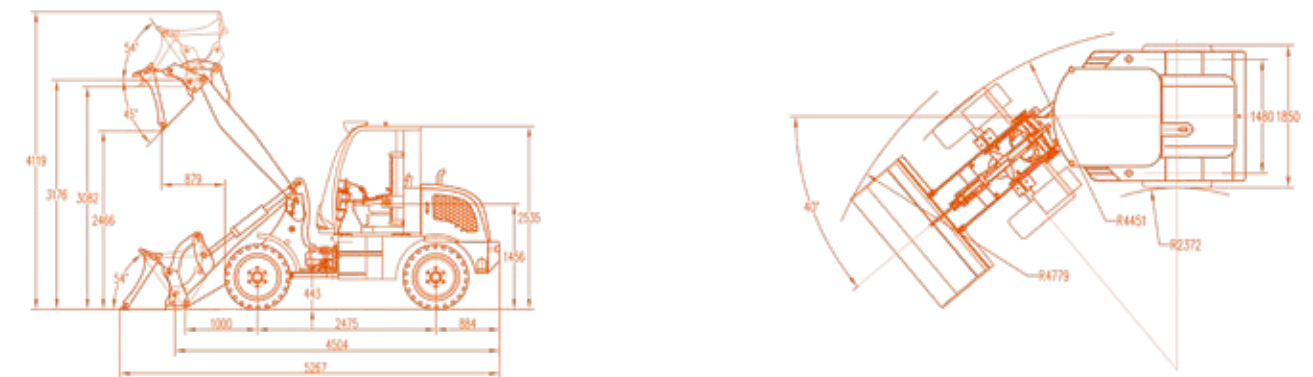
# EVERUN ER416T WHEEL LOADER 4WD

## Standard Configuration

Standard Bucket, Engine(Euro3 Engine), Torque Converter Transmission System, Rops & Fops Cabin, Electric Joystick, Quick Hitch, Floating Function, Tipping Cabin, Adjustable Steering Wheel, Comfortableseat, Cabin HeaterBackward Camera, Hydraulic-Pressure Checking System, Engine Heater, Wheel-Reducer Axle, Air Brake 23.5/70-16 Agricultural Tyres, Lock For Lifting and Steering Cylinder, Parallel Linkage System, Free Service Spare Parts.

## Optional Configuration

Hydraulic Line, LED Light, E4 Lamp, Varta Anti-Freeze Battery, 315/80 R22.5 Snow Tyres, Tyre Chain, Three-Point Hitch, Loading Damper, Centralized Lubrication System, Loader Weighter, 5 Functions Electric Joystick, Kohler 1903TCR Engine(EPA4), Cummins QSF2.8 Engine(EPA4), Yanmar 4TNV94L Engine(Euro3), Air Conditioner, Different Attachments.



## Technical Parameter

Bucket Capacity	0.64m <sup>3</sup>	Net Weight	4400kg
Loading Capacity	1600kg	Lifting Time	4.5s
Max. Driving Speed(I/II)	8/19km/h	Working Pressure	17mpa
Fuel Consumption Ration	238g/km·h	Wheel Base	2282mm
Engine Model	XinChai 498Engine	Breakout Force	28kn
Engine Power	36.8kw	Tyre	23.5/70-16
Service Brake	Air Over Hydraulic Disc Brake On Four Wheels	Oil Flow	72L/min
		Rated Speed	2400r/min





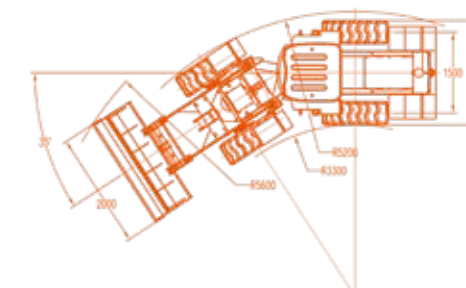
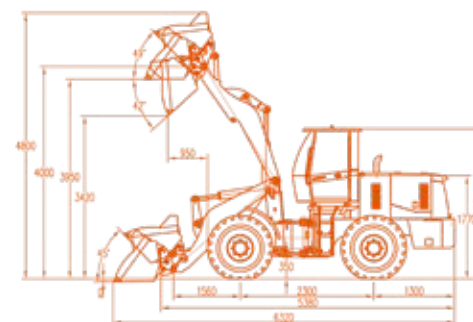
# EVERUN ER26 WHEEL LOADER 4WD

## Standard Configuration

Standard Bucket, Hydraulic Torque Converter Transmission, Floating Function, Hydraulic Joystick, Quick Hitch 130W Heater, 220V Engine Heater, Rops&Fops Cabin, Luxury Cabin Inside, Backward Imagine, Comfortable Seat, Adjustable Steering Wheel, Wheel Reducer Axle, Air Brake, Lock For Lifting And Steering Cylinder, Hydraulic Pressure Check System, Parallel Linkage, 16/70-20 Tire, Free Service Spare Parts Etc.

## Optional Configuration

Electric Joystick, Air Conditioner, Extra Hydraulic Line, Led Light, E4 Lamp, Varta Anti-Freeze Battery, Tyre Chain Three-Point Hitch, Loading Damper, Centralized Lubrication System, Loader Weighter, 5 Functions Electric Joystick, Cummins QSF3.8 Engine(Euro3), Different Attachments.



## Technical Parameter

Bucket Capacity	1.5m <sup>3</sup>	Net Weight	5500kg
Loading Capacity	2000kg	Lifting Time	6s
Max. Driving Speed(I/II)	10/22km/h	Working Pressure	16mpa
Fuel Consumption Ration	220g/km·h	Wheel Base	2300mm
Engine Model	Changchai 4G33	Breakout Force	58kn
Engine Power	36.8kw	Tyre	16/70-20
Service Brake	Air Over Hydraulic Disc Brake On Four Wheels	Oil Flow	90L/min
		Rated Speed	2200r/min





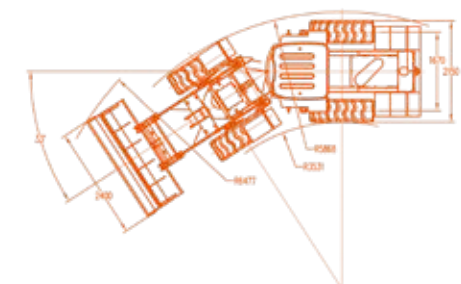
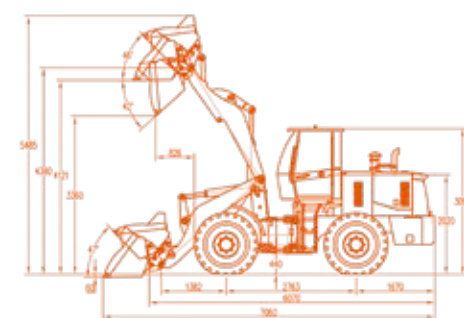
# EVERUN ER28 WHEEL LOADER 4WD

## Standard Configuration

Standard Bucket, Hydraulic Torque Converter Transmission, Floating Function, Hydraulic Joystick, Quick Hitch 130W Heater, 220V Engine Heater, Rops&Fops Cabin, Luxury Cabin Inside, Backward Imagine, Comfortable Seat, Adjustable Steering Wheel, Wheel Reducer Axle, Air Brake, Lock For Lifting And Steering Cylinder, Hydraulic Pressure Check System, Parallel Linkage, 17.5-25 Tire, Free Service Spare Parts Etc.

## Optional Configuration

Electric Joystick, Air Conditioner, Extra Hydraulic Line, Led Light, E4 Lamp, Varta Anti-Freeze Battery, Tyre Chain Three-Point Hitch, Loading Damper, Centralized Lubrication System, Loader Weighter, 5 Functions Electric Joystick, Cummins QSF3.8 Engine(Euro3), Different Attachments.



## Technical Parameter

Bucket Capacity	1.6m <sup>3</sup>	Net Weight	8000kg
Loading Capacity	2800kg	Lifting Time	7s
Max. Driving Speed(I/II)	35/36km/h	Working Pressure	16mpa
Fuel Consumption Ration	210g/km·h	Wheel Base	2763mm
Engine Model	Weichai WP6G125E22	Breakout Force	65kn
Engine Power	92kw	Tyre	17.5-25
Service Brake	Air Assist Disc Brake On Four Wheels	Oil Flow	150L/min
		Rated Speed	2200r/min





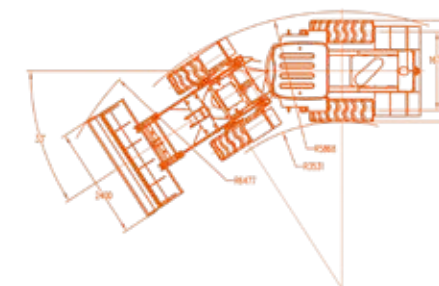
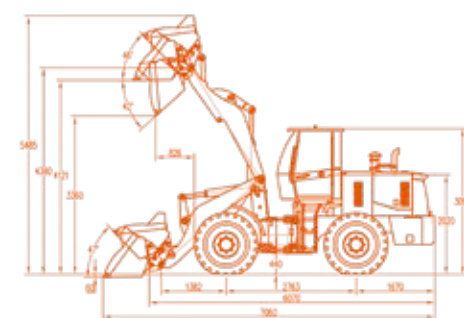
# EVERUN ER32 WHEEL LOADER 4WD

## Standard Configuration

Standard Bucket, Hydraulic Torque Converter Transmission, Floating Function, Hydraulic Joystick, Quick Hitch 130W Heater, 220V Engine Heater, Rops&Fops Cabin, Luxury Cabin Inside, Backward Imagine, Comfortable Seat, Adjustable Steering Wheel, Wheel Reducer Axle ,Air Brake, Lock For Lifting And Steering Cylinder, Hydraulic Pressure Check System, Parallel Linkage, 17.5-25 Tire, Free Service Spare Parts Etc.

## Optional Configuration

Electric Joystick, Air Conditioner, Extra Hydraulic Line, Led Light, E4 Lamp, Varta Anti-Freeze Battery, Tyre Chain Three-Point Hitch, Loading Damper, Centralized Lubrication System, Loader Weighter, 5 Functions Electric Joystick, Cummins QSF3.8 Engine(Euro3), Different Attachments.



## Technical Parameter

Bucket Capacity	1.6m <sup>3</sup>	Net Weight	8000kg
Loading Capacity	2800kg	Lifting Time	7s
Max. Driving Speed(I/II)	3536km/h	Working Pressure	16mpa
Fuel Consumption Ration	210g/km·h	Wheel Base	2763mm
Engine Model	Weichai WP6G125E22	Breakout Force	65kn
Engine Power	92kw	Tyre	17.5-25
Service Brake	Air Assist Disc Brake On Four Wheels	Oil Flow	150L/min
		Rated Speed	2200r/min





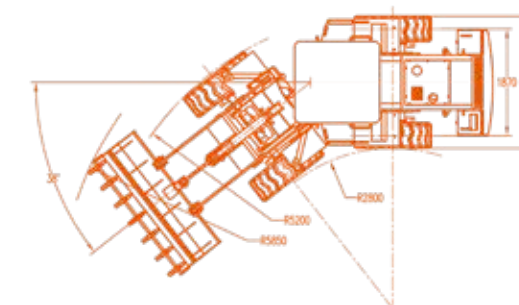
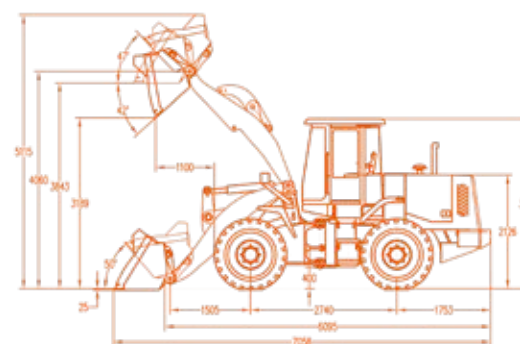
# EVERUN ER35 WHEEL LOADER 4WD

## Standard Configuration

Standard Bucket, Automatic Gearbox Transmission System, Weichai Deutz Wp6g 125E22 Engine, Luxury Cabin Floating Function, Hydraulic Joystick, Electric Gear Shift, Adjustable Steering Wheel, Luxury Cabin Interior, 17.5-25 Tyres, Heater, Backward Camera, Lock For Lifting And Steering Cylinder, Free Service Spare Parts.

## Optional Configuration

Quick Hitch, E4 Lamp, Led Light, Centralized Lubrication System, Air Conditioner, Varta Anti-Freeze Battery, Extra Hydraulic Line, Rops&Fops Cabin, Loader Weighter, Cummins 6Bt5.9 Engine(Euro3), Kohler Engine(Epa4), Different Attachments.



## Technical Parameter

Bucket Capacity	1.7m <sup>3</sup>	Net Weight	9900kg
Loading Capacity	3000kg	Lifting Time	5s
Max. Driving Speed(I/II)	6/13/40km/h	Working Pressure	16.5mpa
Fuel Consumption Ration	210g/km·h	Wheel Base	2740mm
Engine Model	Weichai WP6G125E22	Breakout Force	127kn
Engine Power	92kw	Tyre	17.5-25
Service Brake	Air Assist Disc Brake On Four Wheels	Oil Flow	180L/min
		Rated Speed	2200r/min





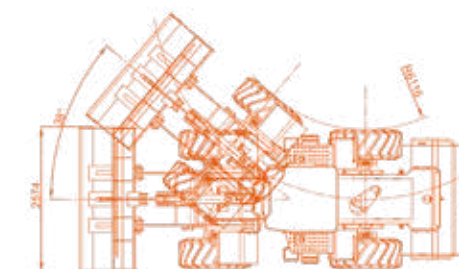
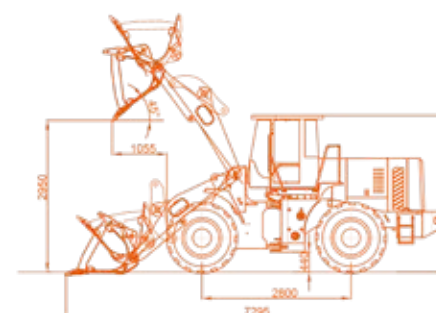
# EVERUN ER40 WHEEL LOADER 4WD

## Standard Configuration

Standard Bucket, Weichai WP6G160E20 Engine, Luxury Cabin, Comfortable Seat, Cabin Heater, Backward Camera, Engine Heater, 20.5-25 Tyres, Lock For Lifting And Steering Cylinder, Free Service Spare Parts.

## Optional Configuration

Quick Hitch, E4 Lamp, Led Light, Centralized Lubrication System, Air Conditioner, Varta Anti-Freeze Battery, Extra Hydraulic Line, Rops & Fops Cabin, Loader Weighter, Cummins Engine, Different Attachments.



## Technical Parameter

Bucket Capacity	2.5m <sup>3</sup>	Net Weight	11000kg
Loading Capacity	4000kg	Lifting Time	10.2s
Max. Driving Speed(I/II)	38km/h	Working Pressure	16mpa
Fuel Consumption Ration	210g/km·h	Wheel Base	2800mm
Engine Model	Weichai WP6G160E20	Breakout Force	65kn
Engine Power	125kw	Tyre	20.5-25
Service Brake	Air Over Hydraulic Disc Brake On Four Wheels	Oil Flow	180L/min
		Rated Speed	2000r/min





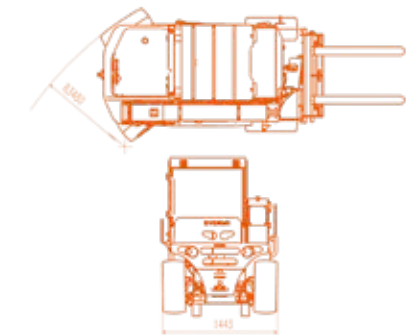
# ERT1500 TELESCOPIC WHEEL LOADER 4WD

## Standard Configuration

Poclaim Hydrostatic Wheel Motor Driven, Perkins Engine, Steering Rear Axlem 4 Wheels Differential Lock, Eaton Steering Motor, Luxury Cabin, Luxury Seat, Preheating System, Heater, Electric Heater For Engine, Led Light, Electric Joystick, Quick Hitch, Standard, 26\*12-16.5 Tyre,

## Optional Configuration

E4 Lamp, Backward Camera, Overload System, Tyre Chain.



## Technical Parameter

Bucket Capacity	0.64m <sup>3</sup>	Net Weight	4400kg
Loading Capacity	1600kg	Lifting Time	7s
Max. Driving Speed(I/II)	8/19km/h	Working Pressure	17mpa
Fuel Consumption Ration	238g/km·h	Wheel Base	2282mm
Engine Model	XinChai 498Engine	Breakout Force	28kn
Engine Power	36.8kw	Tyre	23.5/70-16
Service Brake	Air Over Hydraulic Disc Brake On Four Wheels	Oil Flow	72L/min
		Rated Speed	2400r/min





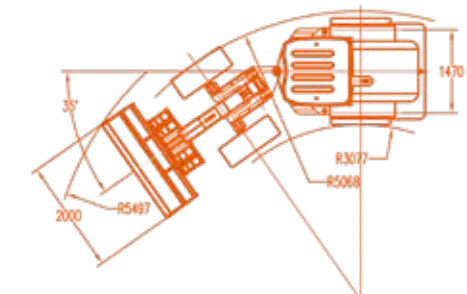
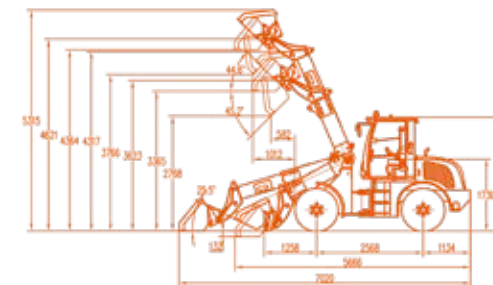
# ER2500 TELESCOPIC WHEEL LOADER 4WD

## Standard Configuration

Standard Bucket, Xichai 40X21-72 Engine, Torque Converter Transmission System, Rop & Fops Cabin, Electric Joystick, Quick Hitch, Tipping Cabin, Adjustable Steering Wheel, Comfortable Seat, Cabin Heater, Backward Camera, Hydraulic-Pressure Checking System, Engine Heater, Wheel-Reducer Axle, 16/70-20 Agricultural Tyres, Lock For Lifting And Steering Cylinder, Parallel Linkage System, Free Service Spare Parts.

## Optional Configuration

Hydraulic Joystick, Air Conditioner, Led Light, E4 Lamp, Varta Anti-Freeze Battery, Tyre Chain, Three-Point Hitch, Loading Damper, Hydraulic Joyatick, Centralized Lubrication System, Loader Weighter, 5 Functions Electric Joystick, Kohler 2504Tcr Engine(EPA4), Cummins QSF2.8 Engine(Epa4), Yanmar 4TNV97CT Engine(EPA4 Euro3B), Xinchai Engine(Euro3B), Different Attachments.



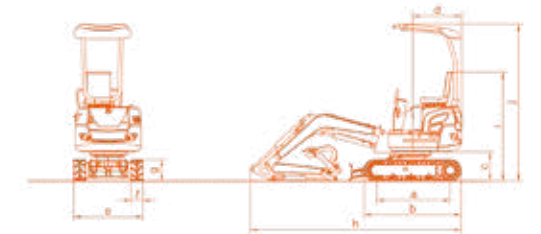
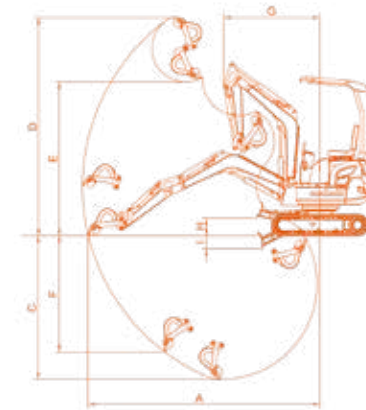
## Technical Parameter

Bucket Capacity	0.7m <sup>3</sup>	Net Weight	5100kg
Loading Capacity	2500kg	Lifting Time	7s
Max. Driving Speed(I/II)	9/21km/h	Working Pressure	17mpa
Fuel Consumption Ration	240g/km·h	Wheel Base	2568mm
Engine Model	XinChai 4DX21-72	Breakout Force	30kn
Engine Power	53kw	Tyre	23.5/70-16
Service Brake	Air Assist Disc Brake On Four Wheels	Oil Flow	85L/min





# EVERUN ERE16 CRAWLER EXCAVATOR

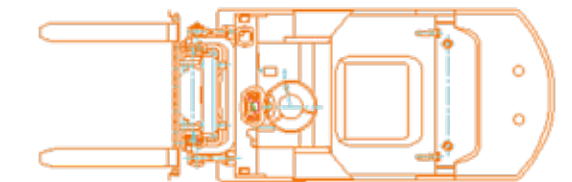
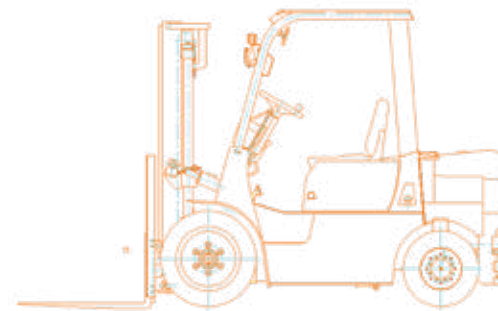


## Technical Parameter

Platform Ground Clearance	460mm	Wheel Base	1290mm
Platform Back Turning Radius	740mm	Total Length Of Track	1670mm
Chassis Width	1130mm	Operating Weight	1600kg
Track Width	180mm	Engine	Yanmar(3TNV70-S)
Chassis Ground Clearance	460mm	Rated Power	10kw/2200/r/min
Bucket Digging Force	10.5kn	Displacement	0.554L
Arm Digging Force	6.5kn	Bore Stroke	Three Cylinder, Water Cool
Rubber Track Height	320mm	Main Pump	KDK
Max. Digging Depth	2150mm	Pump Flow	23L/min
Max. Vertical Digging Depth	1740mm	Valve	BEIFANG
Max. Digging Height	3275mm	Displacement	6.8ml/r
Max. Dumping Height	2310mm	Swing Motor	EATON
Max. Digging Radius On Gound	3470mm	Traveling Motor	DONGHYUAN
Min. Rotation Radius	1440mm	Overall Dimension(L*W*H)	3160*1040*2377mm
Max	192mm	Digging Bucket Capacity	0.045m³/400kg
Max. Upgrade Height Of Bulldozer Blade	262mm	Digging Bucket Width	400mm, can add narrow bucket is 200mm



# EVERUN ERDF30 DIESEL FORKLIFTS 4WD



## Technical Parameter

Power Type	Diesel	Mast	3.0m duplex mast
Capacity	3000kg	Seat	SC1
Load Center	500mm	Length To Face Of Fork	2710mm
Engine	Xinchai 490	Overall Width	1230mm
Transmission	Hydraulic	Side Shift	YES
Tires	Pneumatic	Electric Trans Shift	YES
Forks Length	1070mm	Warning Light	YES





# EVERUN ERTF25 TERRAIN FORKLIFTS 4WD



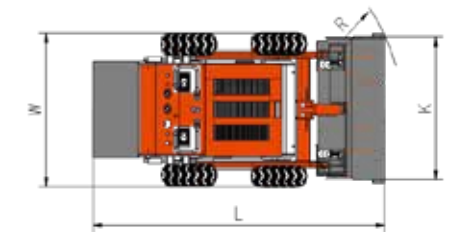
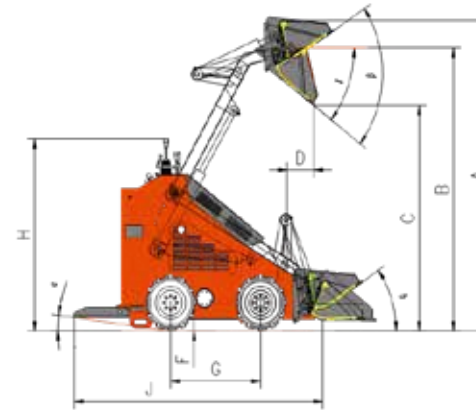
## Technical Parameter

Rated Capacity	2500kg	Max. Driving Speed (With/Without Load)	21/21km/h
Load Center	500mm	Max. Driving Speed (With Load)	545mm/s
Power Type	Diesel	Tilting Angles(Forward/Backward)	6/12°
Transmission	Hydraulic	Service Weight	4200kg
Lifting Height	3000mm	Engine Model	China engine
Free Lifting Height	80mm	Power	42kw
Turning Radius	2950mm	Rated Speed	2500rpm
Overall Length	4010mm	No. of Cylinder	4
Overall Width	1565mm	Front Overhang	550mm
Overall Height(Mast Lowered)	2280mm	Wheel Base	1800mm
Overall Height(Mast Raised)	4065mm	Front Tread	1240mm
Overall Height(Overhead Guard)	2270mm	Rear Tread	1175mm
Fork Length	1070mm	Front Tire	12-16.5-14
Fork Width	122mm	Rear Tire	27*10-12
Fork Thickness	40mm		





# EVERUN ERS380 SKID STEER LOADER



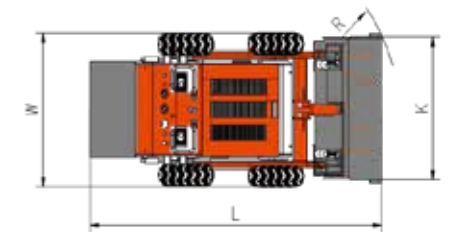
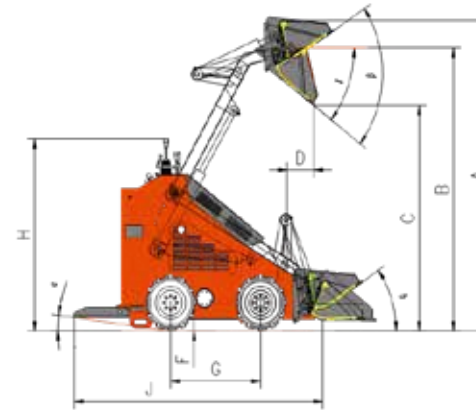
## Technical Parameter

Max Working Height (A)	2128mm	Total Width (W)	1060mm
Max Pin Height (B)	1869mm	Bucket Width (K)	1150mm
Max Dump Height (C)	1473mm	Turning Radius (R)	1317mm
The Highest Point Discharge Distance (D)	399mm	Rated Power	17.15kw(23hp)
Bucket Swing Angle (B)	55°	Rotating Speed	3600rpm
Bucket Unloading Angle ( $\gamma$ )	30°	Noise (Db)	≤95
Opening-Closing Angle ( $\theta$ )	25°	Hydraulic Pressure	17mpa
Angle Of Departure (A)	10°	Max Lifting Force	200kg
Total Height (H)	1218mm	Bucket Capacity	0.15m <sup>3</sup>
The Height From The Ground (F)	105mm	Max Lifting Power	375kg
Wheelbase (G)	612mm	Speed	0-5.5km/h
No Bucket Length (J)	1752mm	Operating Weight	
Total Length (L) (With Bucket)	2206mm	Rubber Track	1068kg





# EVERUN ERS500 SKID STEER LOADER



## Technical Parameter

Max Working Height (A)	2355mm	Total Width (W)	1029mm
Max Pin Height (B)	2088mm	Bucket Width (K)	1150mm
Max Dump Height (C)	1942mm	Turning Radius (R)	1492mm
The Highest Point Discharge Distance (D)	464mm	Rated Power	24.4kw+5%
Bucket Swing Angle (B)	43°	Rotating Speed	2800rpm
Bucket Unloading Angle ( $\gamma$ )	30°	Noise (Db)	≤95
Opening-Closing Angle ( $\theta$ )	37°	Hydraulic Pressure	20mpa
Angle Of Departure (A)	24°	Max Lifting Force	365kg
Total Height (H)	1479mm	Bucket Capacity	0.15m <sup>3</sup>
The Height From The Ground (F)	195mm	Max Lifting Power	730kg
Wheelbase (G)	817mm	Speed	6km/h
No Bucket Length (J)	195mm	Operating Weight	
Total Length (L) (With Bucket)	2438mm	Rubber Track	1400kg



# Additional Appliances

Bucket



Snow Bucket



Mixer Bucket



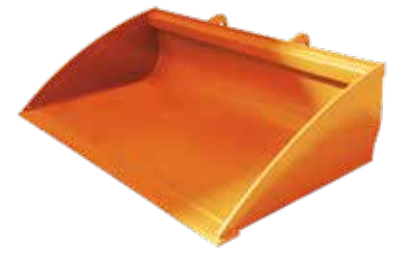
V Snow Blade



Snow Blade



Plain Bucket



4 In 1 Bucket



Snow Bucket With Wings



Pallet Forks



Adjustable Pallet Forks



Sweeper



Barrel Clamp



Grapple Bucket



European Grapple Forks



Manure Forks



Digger



Jib



Auger





# Optional Equipment

## Tyre option



**Size:** 26\*12.00-12 agriculture tyre  
**Standard:** ER06



**Size:** 26\*12.00-12 grass tyre  
**Optional:** ER06



**Size:** 31\*15.5-15 agriculture tyre  
**Standard:** ER08  
**Optional:** ER10, ER12, ER15



**Size:** 23.5/70-16 agriculture tyre  
**Standard:** ER16, ER416H, ER1500  
**Optional:** ER12, ER15



**Size:** 12-16.5 agriculture tyre  
**Optional:** ER10, ER12, ER15



**Size:** 20.5/70-16 agriculture tyre  
**Standard:** ER10, ER12, ER15  
**Optional:** ER08



**Size:** 16/70-24 Z-pattern tyre  
**Optional:** ER28



**Size:** 12.5/80-18 tubeless tyre  
**Optional:** ER416H



**Size:** 31\*15.5-15 grass tyre  
**Optional:** ER08, ER10, ER12, ER15



**Size:** 16/70-20 agriculture tyre  
**Standard:** ER20, ER25,  
ER26, ER2500

## Seat option



### Comfortable Seat

1. Fore & aft adjustable scope is 150mm
2. The angle of back adjustable scope is 90°-105°
3. Weighth has three adjustable ranges according to human weights
4. The deoscillator device travel is 35mm



### Comfortable Seat

1. Fore & aft adjustable scope is 150mm
2. The height adjustable scope is 60mm
3. The angle of back adjustable scope is 60-150°
4. Weight adjustment range is 50-130kg
5. The deoscillator device travel is 80mm



### Comfortable Seat

1. Fore & aft adjustable scope is 150mm
2. The height adjustabe scope is 60mm, three steps
3. The angle of back adjustable scope is 60-150°
4. Weight adjustment range is 50-130kg
5. Suspension shock absorbing stucture, deoscillator device travel is 80mm



### Air Seat

1. The seat heighest height is 370±10mm,
2. Fore & aft adjustable scope is 160mm
3. The seatrest has four steps adjustment, each trave is 15mm
4. Air pump has 12V and 24V option.
5. The angle of back adjustable scope is 60-160°



# Company Information

Qingdao Everun Machinery Co., Ltd

## QINGDAO EVERUN MACHINERY CO.,LTD

Address : Room 902, Yongxin International Finance Centre No.6 Qinling Road, Qingdao, China

## QINGDAO EVERUN TECHNOLOGY CO., LTD

Address : Yanjialing Industrial Park,Jimo,Qingdao, Shandong,China

## QINGZHOU EVERUN MACHINERY CO., LTD

Address : Haidai Bei Road, Economic Development Zone Qingzhou, China

Tel : +86-532-80997859

Mobile: +86-18661725881

Fax : +86-532-80993178

Website : ① [www.everun.com](http://www.everun.com)

Whatsapp: +86-18661725881

② [www.everun.cc](http://www.everun.cc)

Youtube : everunmachinery

Facebook : everunmachinery

Skype : dylanchangcn

## EVERUN EUROPE GMBH

Address : Walkmühlenweg 11, 98617 Meiningen, Germany

Tel : +49 (0) 3693 504050

Website : [www.everun.de](http://www.everun.de)

Fax : +49 (0) 3693 504052

Email : [info@everun.de](mailto:info@everun.de)

## Everun WA Co., Ltd

Address : 6 Carstairs Rd Darlington, 6070, Perth Western Australia

Tel : +61 (0) 413220276

Email : [sales@everunwa.com](mailto:sales@everunwa.com)

# Company Honor

Qingdao Everun Machinery Co., Ltd



Design Patent



Rops&Fops Certificate



CE Certificate from TÜV



Global Market Audited Supplier



Made-in-China Audited Supplier



Alibaba Audited Supplier

